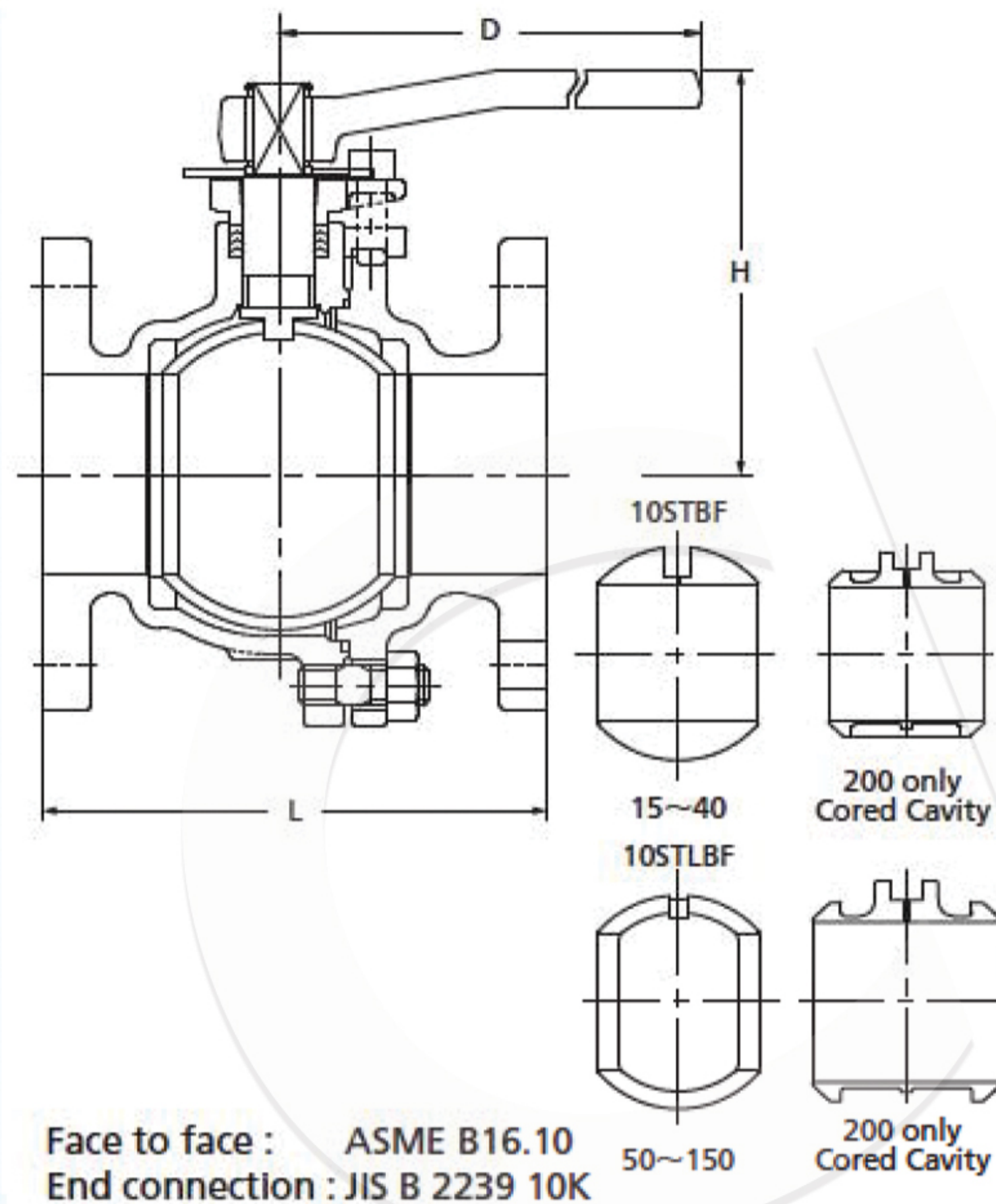


10K Ball Valve Full Bore

10STBF



Face to face : ASME B16.10
End connection : JIS B 2239 10K

Maximum Service Pressure

Code	Valve size	Temperature	Pressure
10STBF	All size	120°C W.O.G.	1.4MPa
	4" and smaller	160°C W.O.G.	1.0MPa
	5" to 8"	140°C W.O.G.	1.0MPa
10STLBF	All size	80°C gas	1.2MPa

● Use for lubricating or hydraulic oil is acceptable.

Materials

Parts	JIS material
Body	FCD-S
Body cap	FCD-S
Stem	SUS403
Ball	SCS13A / SUS304 / SUS304TP
Gland	FCD-S
Gland packing	PTFE
Handle	FCD400
Gasket	PTFE
Packing washer	SUS304 (15 ~ 32)
Ball seat	HYPATITE PTFE * ¹
Cap bolt/nut	SS400 * ²
Gland bolt	Alloy Steel
O ring * ³	NBR
Stopper	SUS430
Name plate * ³	SUS304

*¹ PTFE or C/F PTFE is optionally available.

*² Different bolt/nut material is required for service exceeding temperature range of 0 ~ 225°C. Contact KITZ Corporation for technical advice.

*³ for 10STLBF only

Contact KITZ Corporation for use of valve actuators.

Dimensions

Size	mm												
	mm	15	20	25	32	40	50	65	80	100	125	150	200
	inch	1/2	3/4	1	1 1/4	1 1/2	2	2 1/2	3	4	5	6	8
L		108	117	127	140	165	178	190	203	229	356	394	457
H		106	109	130	135	115	120	153	162	199	219	293	352
D		130	130	160	160	230	230	400	400	460	460	1000	1500

NOTE : For flange dimensions, refer to Page 44. ※RF-flanged ends shall be optionally available.